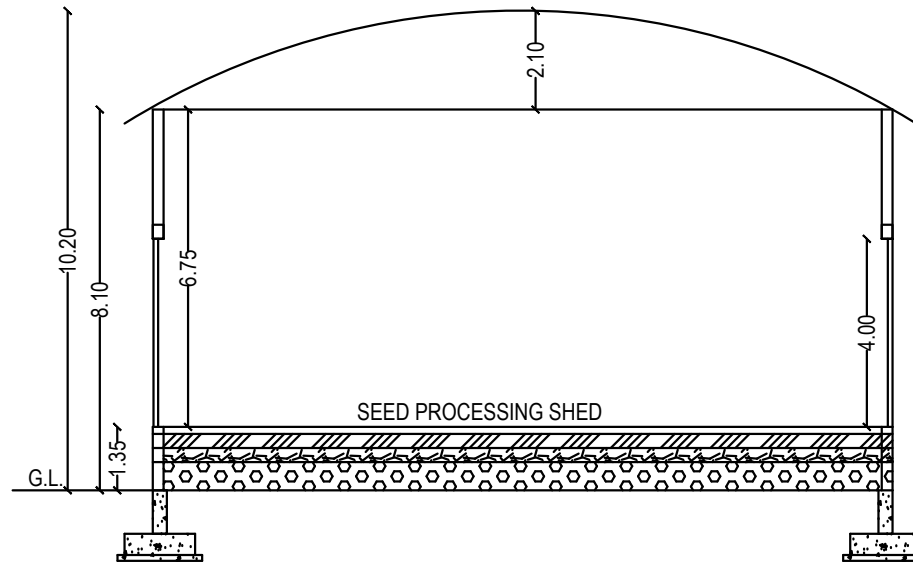


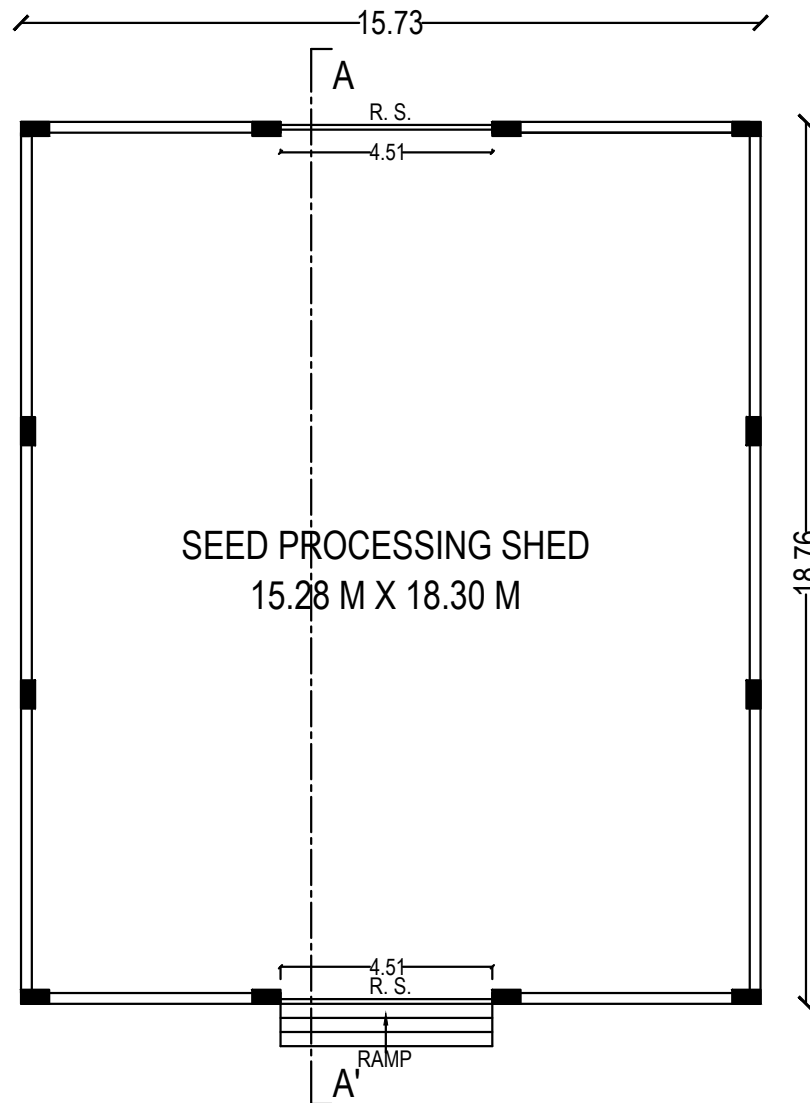
**FRONT ELEVATION**

SCALE 1:100



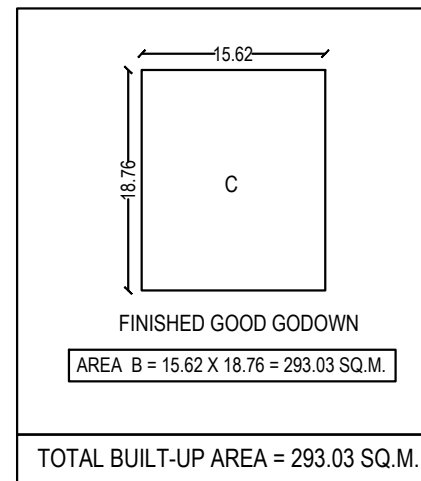
**SECTION @ A - A'**

SCALE 1:100



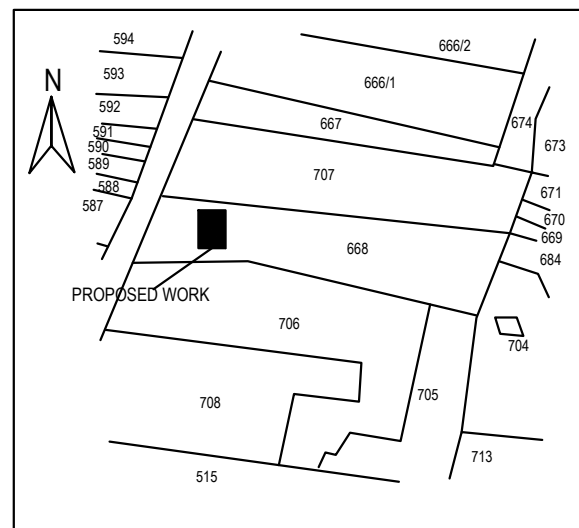
**PLAN FOR SEED PROCESSING UNIT**

SCALE 1:100



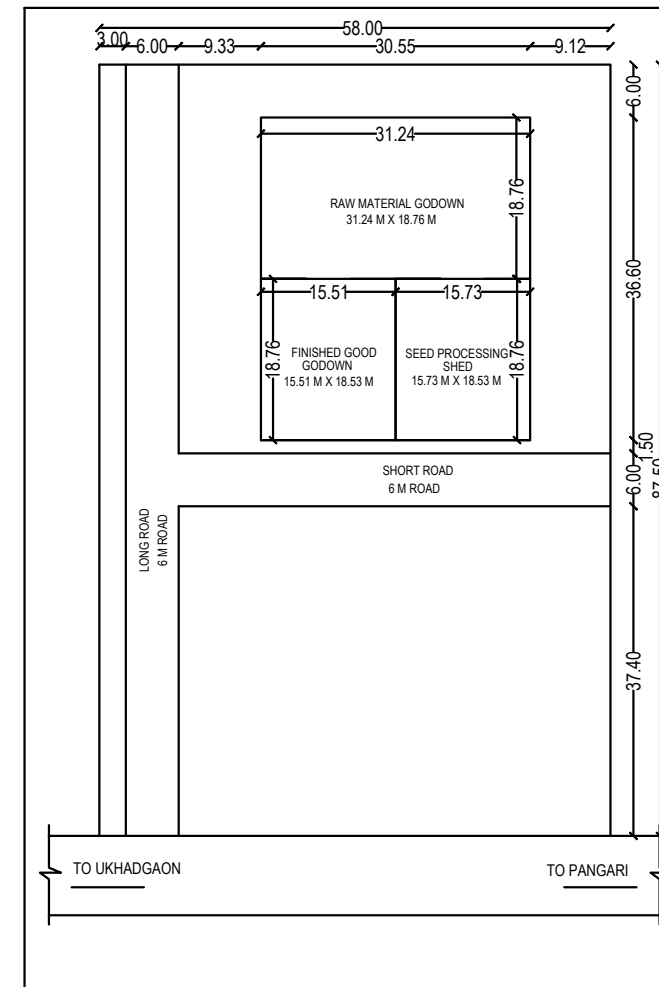
**BLOCK PLAN**

SCALE 1:400



**LOCATION PLAN**

SCALE NTS



**LAYOUT / SITE PLAN**

SCALE 1:400

**STAMP OF APPROVAL**

**AREA STATEMENT**

1) PLOT AREA	5075.00 SQ.M.
2) PERMISSIBLE F.S.I	1.00
3) PERMISSIBLE BUILTUP AREA	5075.00 SQ.M.
4) PROPOSED BUILTUP AREA	1273.14 SQ.M.
5) TOTAL BUILTUP AREA	1273.14 SQ.M.
6) F.S.I. CONSUMED	0.25

**BUILTUP AREA STATEMENT**

BUILTUP AREA OF 1500 MT GODOWN = 871.90 SQ.M.  
 BUILTUP AREA OF SEED PROCESSING = 293.03 SQ.M.  
 UNIT

TOTAL BUILTUP AREA = 1273.14 SQ.M.

**SHOWN THUS**

PLOT BOUNDARY	BLACK
PROPOSED WORK	RED
DRAINAGE LINE	RED DOTTED
OPENING SCHEDULE	
RS = 5.0 X 4.0	RS 1 = 4.50 X 4.0

**TITLE**

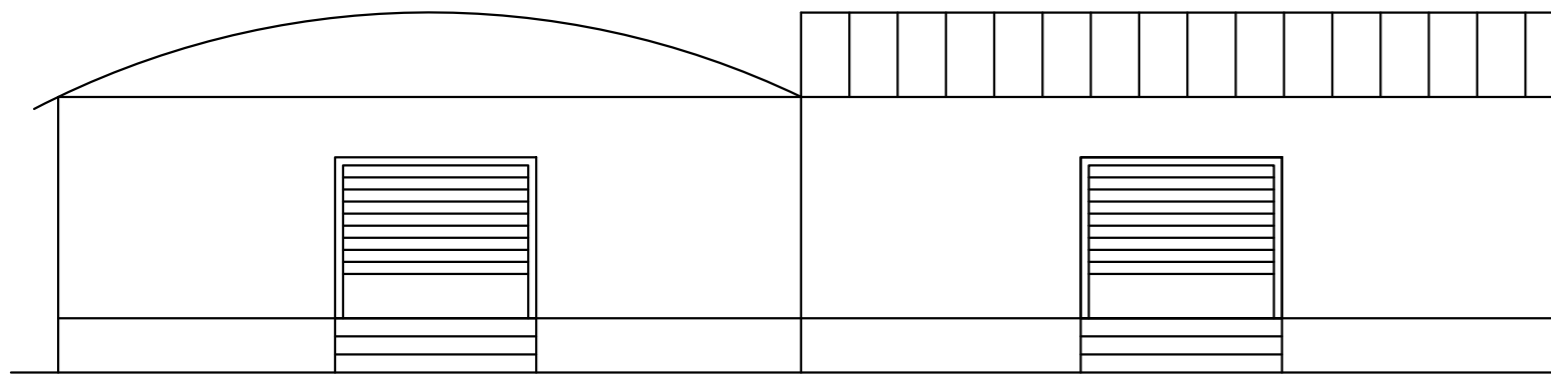
**NAME OF WORK**

PROPOSED CONSTRUCTION OF 1500 M.T. CAPACITY  
 RAW MATERIAL AND FINISHED GOODS GODOWN  
 FOR SAI SAMRUDDHI PLANT SCIENCES AGRO PRODUCER  
 COMPANY LTD. @ GAT NO. 668, PANGARI, TAL - BARSHI.  
 DIST. - SOLAPUR.

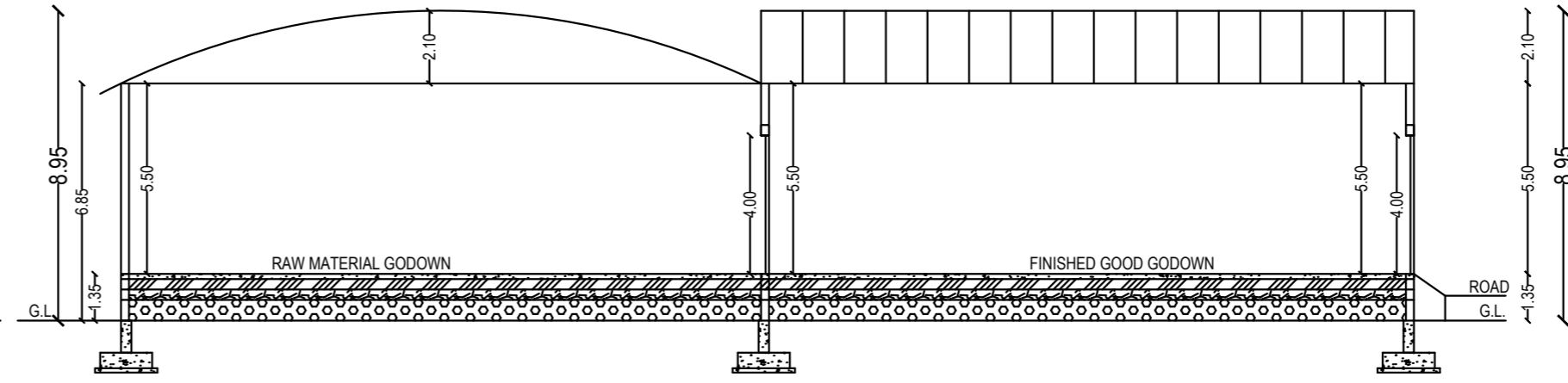
**NAME OF OWNER**

**SAISAMRUDDHIEE PLANT SCIENCES AGRO  
 PRODUCER COMPANY LTD**

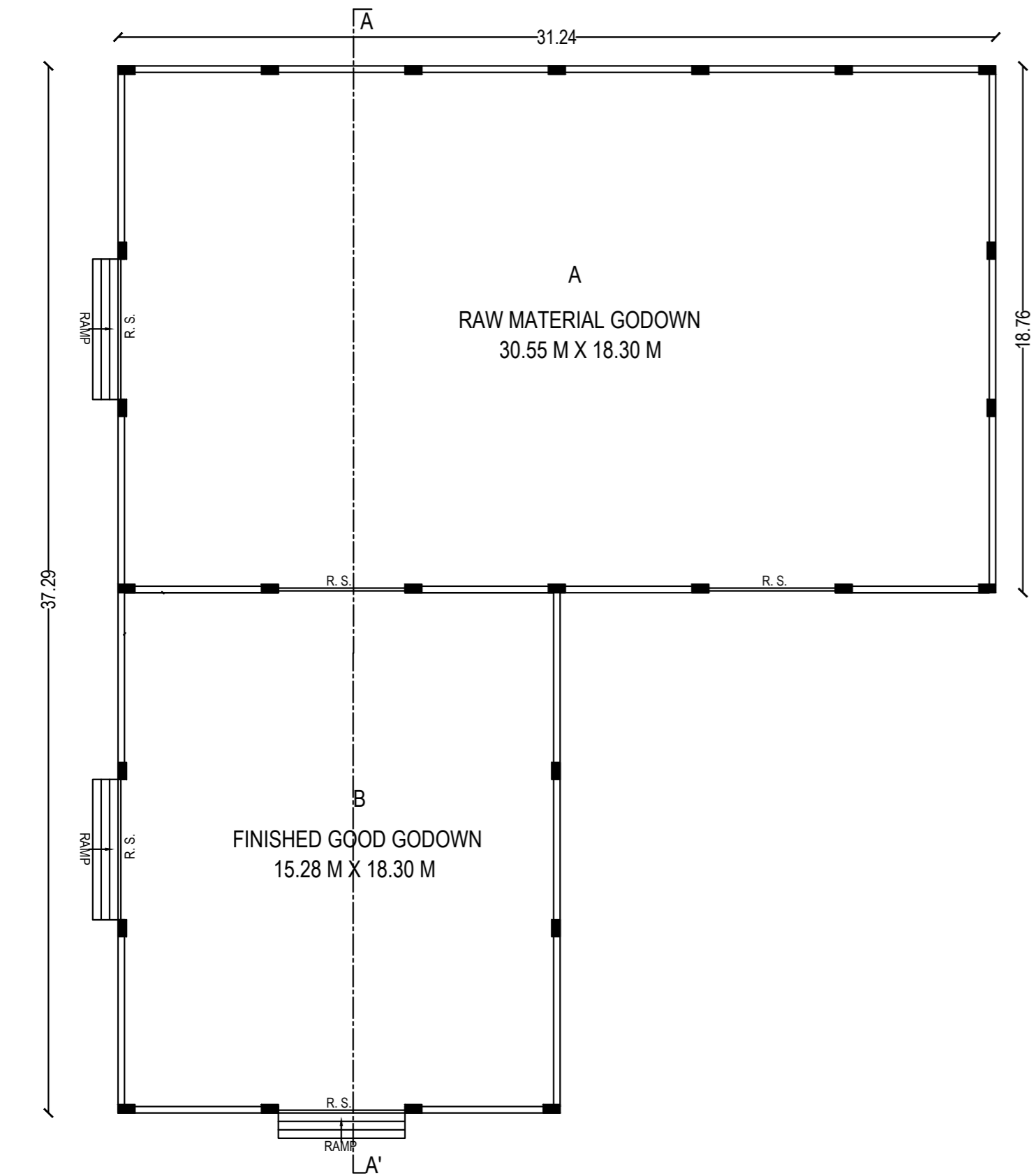
SIGNATURE OF ENGINEER



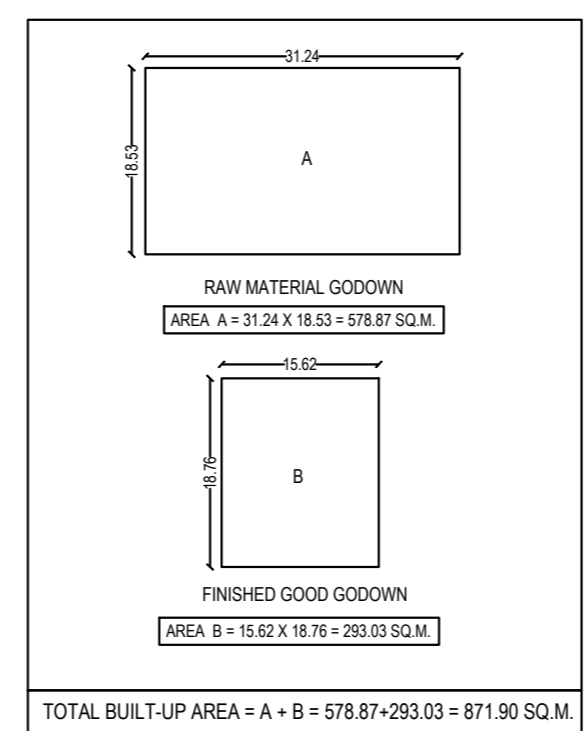
**SIDE ELEVATION**  
SCALE 1:100



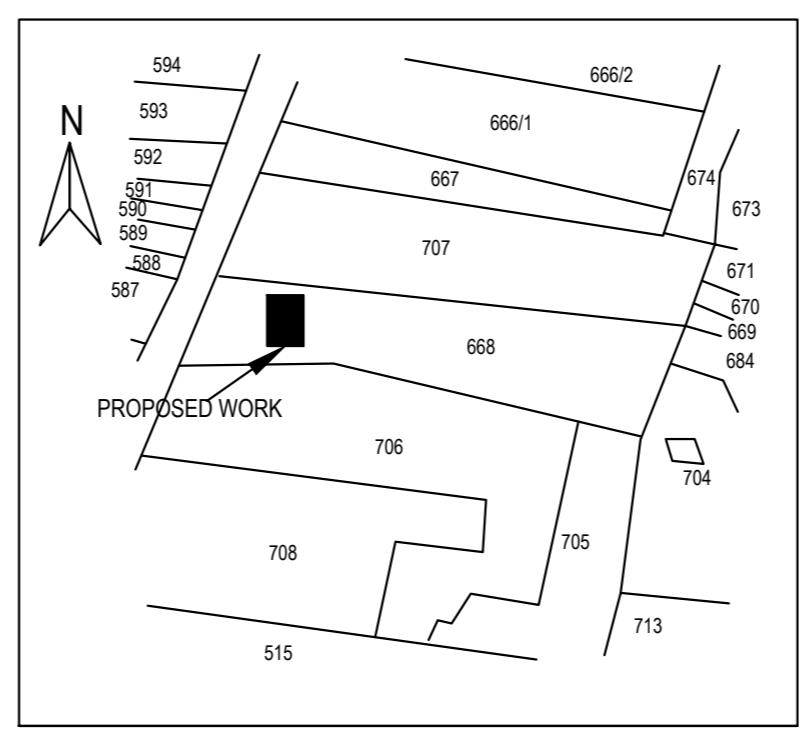
**SECTION @ A - A'**  
SCALE 1:100



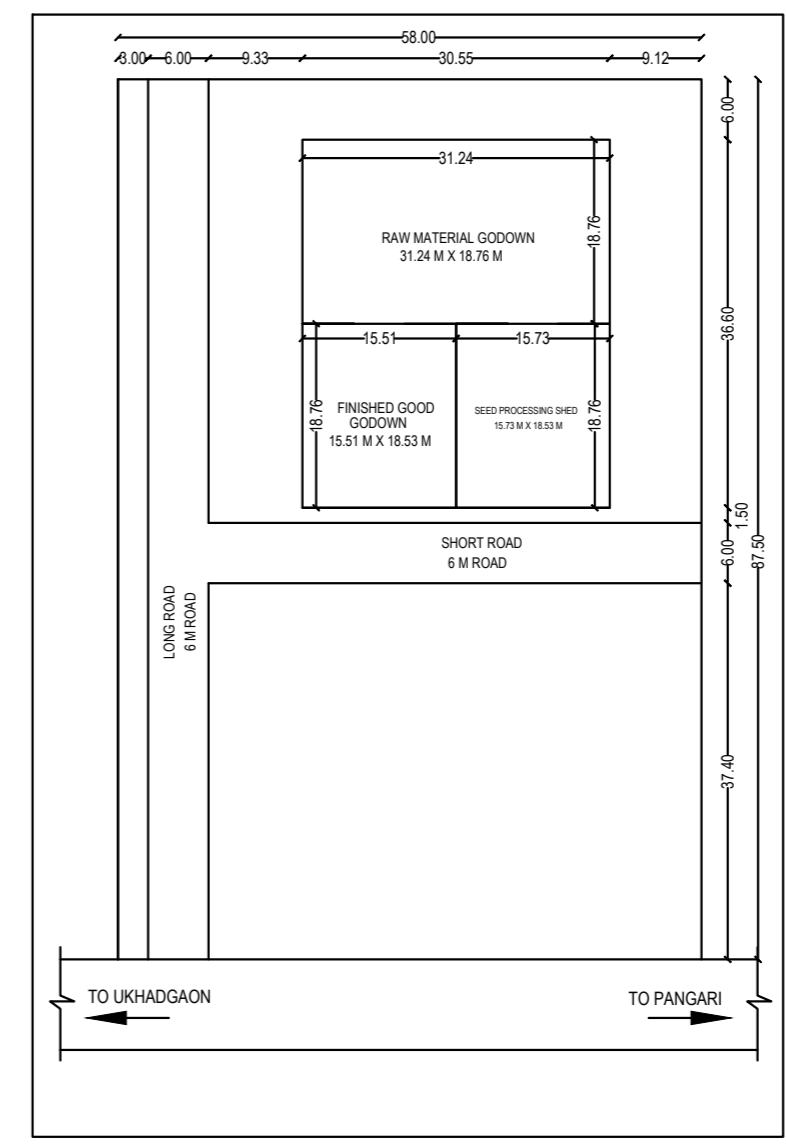
**PLAN FOR 1500 M.T. GODOWN**  
SCALE 1:100



**BLOCK PLAN**  
SCALE 1:400



**LOCATION PLAN**  
SCALE NTS



**LAYOUT / SITE PLAN**  
SCALE 1:400

**STAMP OF APPROVAL**

AREA STATEMENT	
1) PLOT AREA	5075.00 SQ.M.
2) PERMISSIBLE F.S.I	1.00
3) PERMISSIBLE BUILTUP AREA	5075.00 SQ.M.
4) PROPOSED BUILTUP AREA	1273.14 SQ.M.
5) TOTAL BUILTUP AREA	1273.14 SQ.M.
6) F.S.I. CONSUMED	0.25

**BUILTUP AREA STATEMENT**  
 BUILTUP AREA OF 1500 MT GODOWN = 871.90 SQ.M.  
 BUILTUP AREA OF SEED PROCESSING = 293.03 SQ.M.  
 UNIT

SHOWN THUS	
PLOT BOUNDARY	BLACK
PROPOSED WORK	RED
DRAINAGE LINE	RED DOTTED
OPENING SCHEDULE	
RS = 5.0 X 4.0	RS 1 = 4.50 X 4.0

**TITLE**  
  
**NAME OF WORK**  
 PROPOSED CONSTRUCTION OF 1500 M.T. CAPACITY  
 RAW MATERIAL AND FINISHED GOODS GODOWN  
 FOR SAI SAMRUDDHI PLANT SCIENCES AGRO PRODUCER  
 COMPANY LTD. @ GAT NO. 668, PANGARI, TAL - BARSHI,  
 DIST.- SOLAPUR.

**NAME OF OWNER**  
 SAISAMRUDDHIE PLANT SCIENCES AGRO  
 PRODUCER COMPANY LTD

**SIGNATURE OF ENGINEER**